



FIAMM's **LM** battery range can be used in standby mode or for duties requiring repeated charging and discharging operations (cycling applications). The **LM** battery range is specially designed for difficult environments and special applications such as solar and long discharge rates. Its tubular positive plates, a high reliability post seal and fully insulated connections among cells guarantee a long life even in the worst operating conditions.

FIAMM has a program of continuous improvement investing in manufacturing processes, equipment and technology. FIAMM's Standby Battery manufacture is in compliance with ISO 9001 and ISO 14001 quality assurance. Our continuous investment in battery technology is reflected by means of premium products that are of the highest quality and reliability.

FIAMM's **LM** tubular vented lead acid batteries are the ideal energy source for many different standby applications.

TECHNICAL FEATURES

- ▶ **Positive tubular plates** with a special lead-alloy for reduction in water loss and filling intervals
- ▶ **Negative plates** are of pasted grid type
- ▶ **Electrolyte:** high purity sulphuric acid solution with a specific gravity of 1.24 (+/- 0.01) at 20°C
- ▶ **Separators** are made of high quality micro porous material
- ▶ **Containers** are constructed with transparent, impact and acid resistant plastic (SAN) material
- ▶ **Safety Vents:** cells incorporate flame retardant ceramic plugs that filter out any drops of electrolyte from the escaping gases preventing any errant spark or flame from entering the battery
- ▶ **Terminals:** female threaded terminal (M10) ensures perfect contact and a low resistance with the flexible cable connectors
- ▶ **Post seals:** high integrity post seal design to prevent electrolyte leakage and terminal corrosion
- ▶ **Connectors:** flexible, fully insulated cable connectors screwed to the terminal with an insulated screw having a probe hole on the top for electric measurement

APPLICABLE STANDARDS

- ▶ DIN 40736 part 1
- ▶ IEC 60896 part 11



PRODUCT FEATURES

- ▶ Reliable
- ▶ Long life
- ▶ Low maintenance
- ▶ Excellent for cycling applications



Standby Batteries

LM range

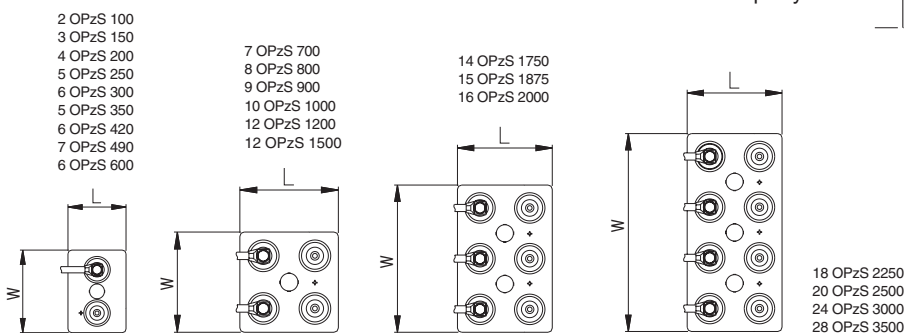
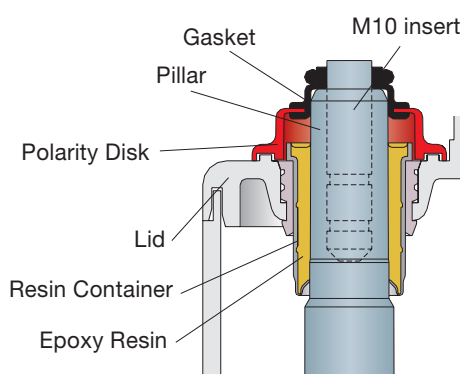
2009
11.07

DIN 40736 STANDARD TYPE	NOMINAL CAPACITY 10 hrs, 1.80 VPC	CELL TYPE	CAPACITY	WEIGHT	ELECTROLYTE	DIMENSIONS (mm)			TERMINALS
			Ah at 20°C 10 hrs to 1.80 VPC	(kg) with electrolyte		(Litres)	Length	Width	Height
2 OPzS 100 LA	100	LM 100	108	14	4.0	103	206	420	1 / 1
3 OPzS 150 LA	150	LM 150	162	16	3.5	103	206	420	1 / 1
4 OPzS 200 LA	200	LM 200	216	18	3.0	103	206	420	1 / 1
5 OPzS 250 LA	250	LM 250	270	21	4.0	124	206	420	1 / 1
6 OPzS 300 LA	300	LM 300	324	25	5.0	145	206	420	1 / 1
5 OPzS 350 LA	350	LM 350	400	29	6.0	124	206	536	1 / 1
6 OPzS 420 LA	420	LM 420	468	35	8.5	145	206	536	1 / 1
7 OPzS 490 LA	490	LM 490	546	40	10.0	166	206	536	1 / 1
6 OPzS 600 LA	600	LM 600	630	47	10.0	145	206	711	1 / 1
7 OPzS 700 LA	700	LM 700	735	60	13.0	210	191	711	2 / 2
8 OPzS 800 LA	800	LM 800	840	63	12.5	210	191	711	2 / 2
9 OPzS 900 LA	900	LM 900	945	74	17	210	233	711	2 / 2
10 OPzS 1000 LA	1000	LM 1000	1050	77	16	210	233	711	2 / 2
12 OPzS 1200 LA	1200	LM 1200	1260	90	20	210	275	711	2 / 2
12 OPzS 1500 LA	1500	LM 1500	1570	113	27	210	275	861	2 / 2
14 OPzS 1750 LA	1750	LM 1750	1840	148	42	212	399	837	3 / 3
15 OPzS 1875 LA	1875	LM 1875	1970	152	41	212	399	837	3 / 3
16 OPzS 2000 LA	2000	LM 2000	2100	156	40	212	399	837	3 / 3
18 OPzS 2250 LA	2250	LM 2250	2360	188	52	212	487	837	4 / 4
20 OPzS 2500 LA	2500	LM 2500	2620	196	50	212	487	837	4 / 4
24 OPzS 3000 LA	3000	LM 3000	3150	229	59	212	576	837	4 / 4
28 OPzS 3500 LA	3500	LM 3500	3500	245	56	212	576	837	4 / 4

ELECTRICAL CHARACTERISTICS

- ▶ **NOMINAL VOLTAGE:** 2 V
- ▶ **FLOAT VOLTAGE AT 20°C:** 2.23 V/cell
- ▶ **BOOST RECHARGE:** 2.4 V/cell
- ▶ **SELF DISCHARGE:** < 2% a month at 20°C

HIGH RELIABILITY POST SEAL



FIAMM
www.fiamm.com

Standby Batteries